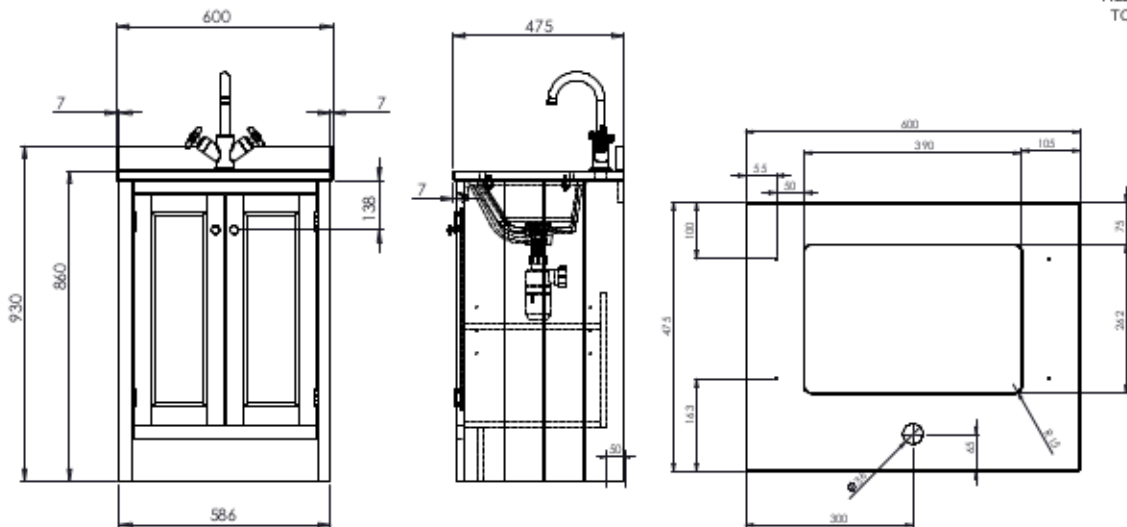


DIMENSIONS

DIAGRAMS NOT TO SCALE
ALL DIMENSIONS IN MM
TOLERANCE OF ± 5MM



FAQ

- Q: How big is the plumbing void at the back of the furniture?
Q: Are the handles fitted?
Q: Can I use different handles?
Q: How deep/wide is the unit with doors open?
Q: Is the shelf removable?
Q: What is the shelf capacity?
Q: How many shelves are there?
Q: Are the shelves adjustable?
Q: What is the interior finish of the unit?
Q: Can I use other basins with the worktop?
Q: How tall is the worktop upstand? How thick is the worktop?

- A: 50mm
A: No, hole centres need to be drilled using the pilot holes provided.
A: Yes, other handle hole centres can be drilled by the fitter.
A: Approx depth with 90 degree hinge 740mm. Width at 1600mm.
A: Yes, there is one removable shelf.
A: Shelf max depth: 376mm
A: There are two shelves within the unit.
A: Yes, there are a number of shelf positioning holes pre-drilled.
A: The unit interior is the same finish as the exterior.
A: No, the worktop is pre-cut for Hampton Underslung Basin size.
A: The upstand is 70mm and the worktop thickness is 25mm.